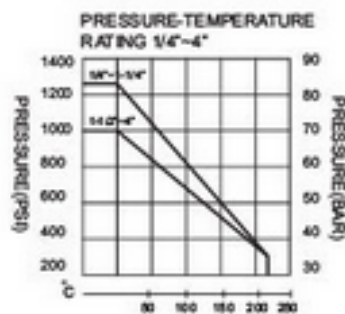
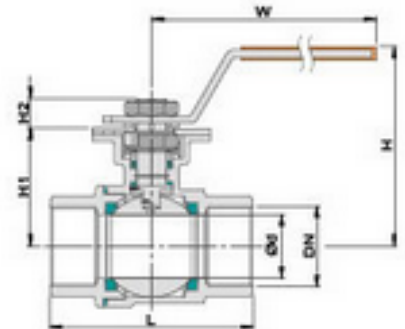
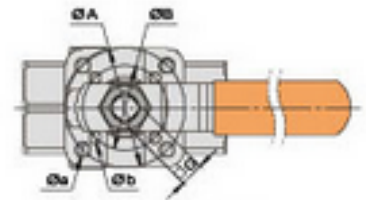


Ball Valve Full Port ISO-Direct Mounting Pad 2-pc Design



Features:

- 1000WOG,PN63
- Full Port
- Locking Device Handle Upon Request
- Blow-Out Proof Stem
- PTFE Packing Sealing
- Balance Hole in Ball Slot
- Design Standard:ASME B16.34
- Spring Ball Seat for Self-Adjustment
- ISO5211 Direct Mounting Pad Top Flange
- Testing Standard:API 598/SP-110



PRESSURE TESTING

STANDARD PRESSURE	1000PSI
SHELL PRESSURE TESTING	10.4Mpa
WATER SEAL TESTING	7.6Mpa
AIR SEAL TESTING	0.4-0.7Mpa

(unit: mm)

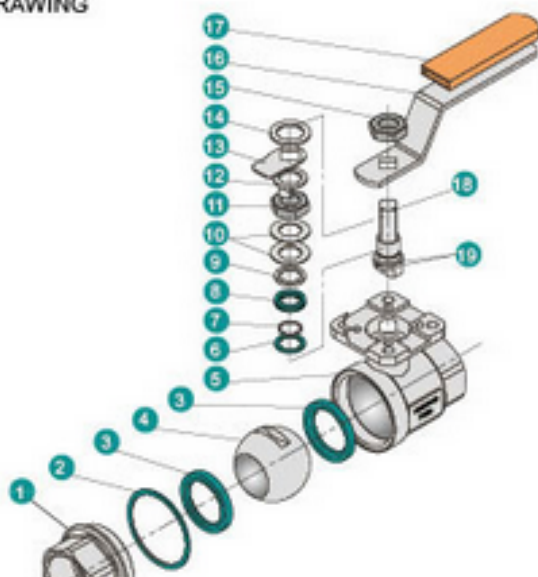
WR-230

1000PSI/PN63

DIMENSION

SIZE	L	Ød	W	H	H1	H2	ØA	ØB	Øa	Øb	□ G	TORQUE N.M	CV
1/4"	50	11.5	110	60	36	8	42	36	6	5.5	9	4	2
3/8"	60	12	110	60	36	8	42	36	6	5.5	9	4	2
1/2"	75	15	110	64	38	8.5	42	36	6	5.5	9	5	3.4
3/4"	80	20	120	80	42	9	42	36	6	5.5	9	7	7.1
1"	90	25	145	93	51.5	11	50	42	7	6	11	8	12.4
1-1/4"	110	32	145	95	56.5	11	50	42	7	6	11	15	20.3
1-1/2"	120	40	160	126	70	14	70	50	9	7	14	22	28.5
2"	140	50	170	129	77.5	15	70	50	9	7	14	25	47.5
2-1/2"	185	65	230	148	95	18	100	70	11	9	17	50	76
3"	205	80	260	152	107	18	100	70	11	9	17	85	108.4
4"	240	100	300	187	125	19	100	70	11	9	19	115	198

DRAWING



MATERIAL LIST

ITEM	PART NAME	MATERIAL		
1	CAP	CF8M	CF8	WCB
2	BODY GASKET	PTFE		R-PTFE
3	BALL SEAT	PTFE		RPTFE
4	BALL	SUS316		SUS304
5	BODY	CF8M	CF8	WCB
6	THRUST WASHER			SUS304
7	O-RING			VITON
8	STEM PACKING			PTFE
9	GALND			SUS304
10	BELLEVILLE WASHER			SUS304
11	STOP NUT			A194-8
12	STOP WASHER			SUS304
13	LOCKING WASHER			SUS304
14	WASHER			SUS304
15	STEM NUT			A194-8
16	HANDLE			SUS304
17	HANDLE COVER			PLASTIC
18	STEM	SUS316		SUS304
19	ANTI-STATIC DEVICE			SUS304